

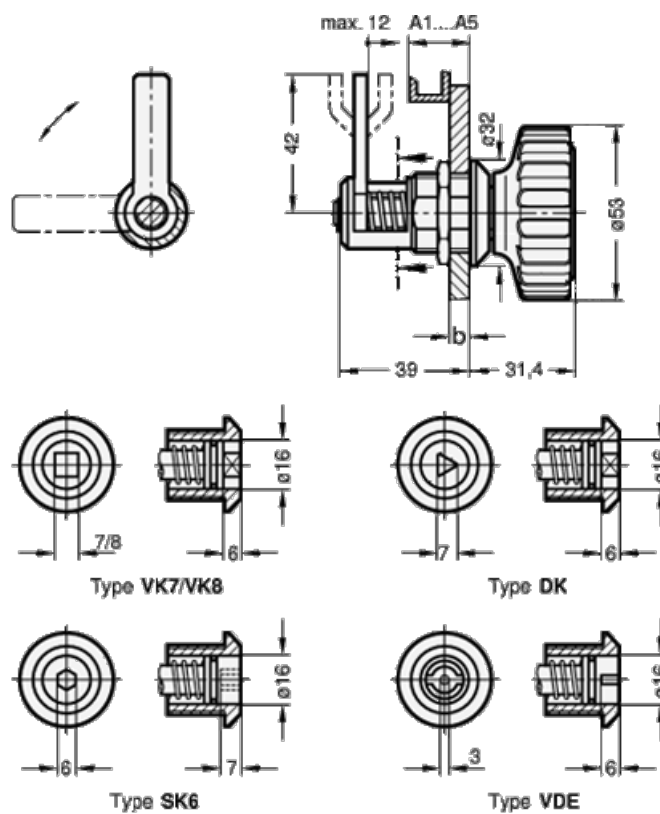
Data Sheet



Article number: 201161VDEA4

Description: E+G Door lock GN 116.1-VDE-A4
VDE with double bit

Measures



b max = 12
Door + frame thickness = 27-39